

## WINMAN SOLENOID VALVES

### WV10.S08 Valve Series



**SAE Cartridge - 250 bar  
Directional Valve - 3/2 Seated type**

#### Description

A Solenoid operated, 3 way 2 positions, seated type, direct acting, bi-directional blocking, screw-in hydraulic directional cartridge valve.  
In the de-energized mode, the WV10.S08 allows flow bi-directionally between ports 1 and 2, while blocking flow at 3. In the energized mode, bi-directional flow is allowed between ports 3 and 2, while flow is blocked at 1 with extremely low leakage.  
Even if port 1 and 3 maybe fully pressurized they are not intended to be used as the inlet.  
The rigid design using a 1-piece body contributes to minimize the effect of eccentricities in cavity and provides great reliability.  
Low pressure drop thanks to optimized flow path.

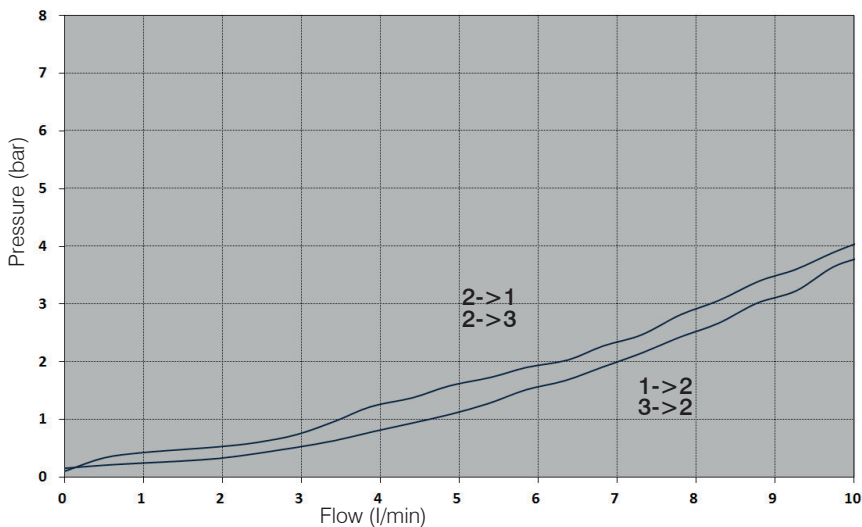
#### Technical Features

All external surfaces are zinc plated and corrosion-proof.  
All valve parts are made of high strength steel.  
Poppet is hardened and micron finished to ensure minimal wear and extended service life.  
Coil seals protect the solenoid system.  
Manual override option.  
Industry SAE common cavity.

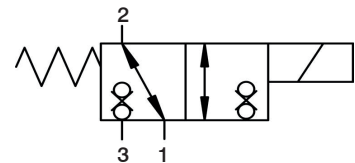
Note: Standard sealing NBR (BUNA-N)

#### Performance Details

Note : For information about operating limits, please contact the factory.



#### Symbols

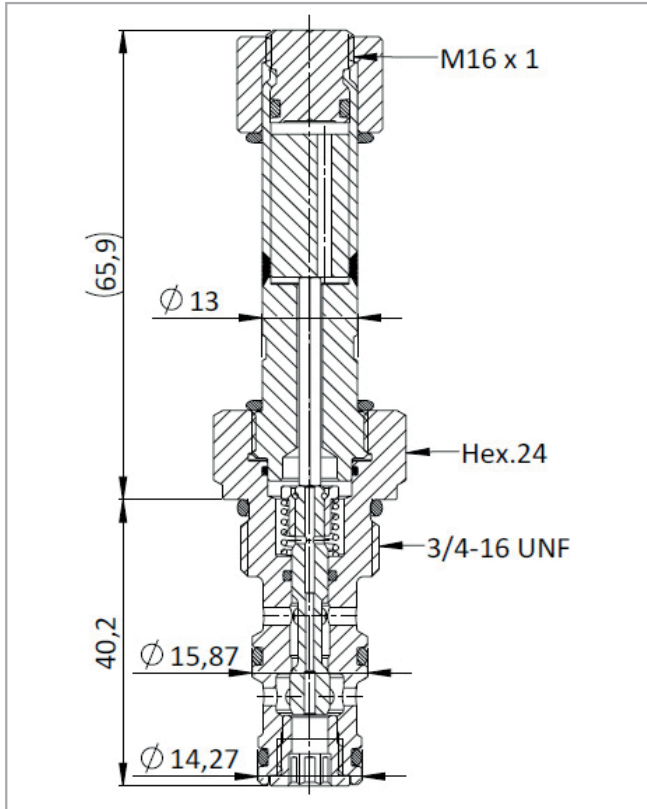


#### Technical Data

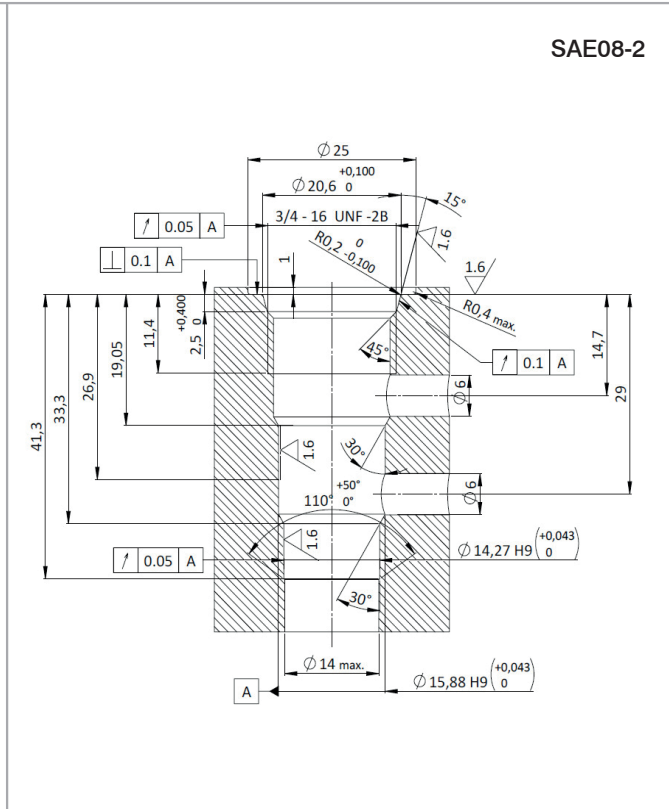
Maximum operating pressure: 250 bar  
Maximum flow: 10 l/min  
Internal leakage: max 5 drops/min @ 250 bar  
Response time: Energized 30 ms,  
De-energized 50 ms (typical 24V DC coil)  
Temperature: -30°C to 110°C  
Fluids: Mineral-based or synthetics with lubricating properties at viscosities of 7.4 to 420 cSt  
Minimum pull-in voltage: 85% of nominal  
Orientation: no restrictions  
Installation torque: 40-45 Nm  
Seal kit code: SK.030 and SK.027 (coil)  
Weight: 0.120 kg  
NOTE: The performance chart illustrates flow handling capacity in both directions (1 to 2 and 2 to 1, both energized).  
P/Q curves are recorded at TOil = 40°C and 46 cSt

**WINMAN SOLENOID VALVES**

**Cross Section**



**Cavity Details**



**Ordering Code**

W V I O • S O 8 • 0 \* • 0 0 0

Valve basic code

Cavity

S08 = 3/4-16 UNF with Ø15,87 and Ø14,27 nose sizes

Filtration

Manual override

Marking

0=Standard factory marking  
Customized markings can be done upon request

**Manual Override**

Model Code	Type of override
0	No override
1	Push pin
2	Push knob
6	Screw

**Coil**



Use 22W coil to operate this valve.